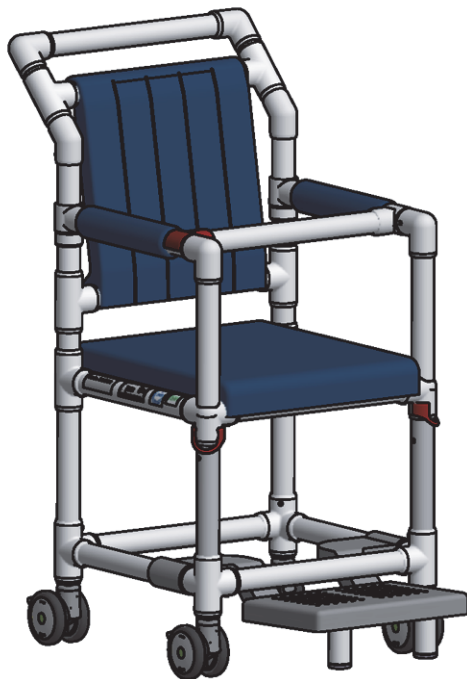




**Transport chair  
TC 450 MRT**



patient holds them in front of the body. The patient's back should be on the backrest for a stable sitting position. The feet must be on the extended footrest. The model can be permanently loaded with a temperature between 0 °C and 60 °C. Due to the properties of plastic, damage may occur if the product is exposed to temperatures outside this range. Also, do not expose the product to selective heat loads such as radiant heaters. Check the product for damage before each use. If there is damage, do not use the product until it has been repaired.

All serious incidents related to this product must be us (manufacturer) reported to

**3 Operation and functions**

The transport chair is delivered partially assembled to reduce shipping costs. Assemble the chair as follows:

1. put on the backrest
2. Screw in 4 x screw (PH2)
3. put on the back of the cushion

**Content**

1	Intended use.....	1
2	General safety regulations.....	1
3	Operation and functions .....	1
4	Accessories .....	3
5	Technical data .....	3
6	Labelling .....	3
7	Cleaning and disinfection .....	3
8	Maintenance and inspection.....	4
9	Storage, reuse and disposal.....	4
10	Warranty / Liability .....	4

**1 Intended use**

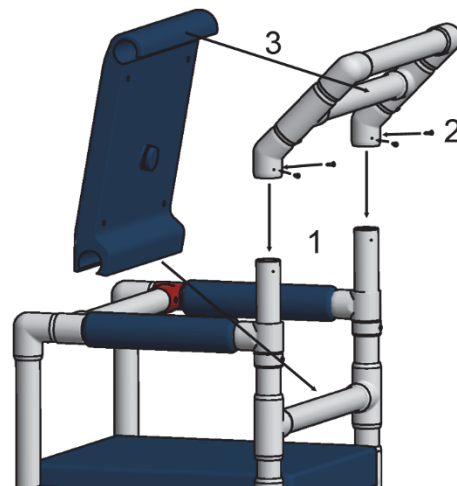
The TC 450 MRT is designed for patient transfer in the MRI range up to 3 Tesla.

The transport chair may only be used inside buildings on level floors. The model is not suitable for climbing steps with. The model is designed for short-term use. Individual adaptations cannot be made.

Product life: The expected life of the wheelchair is 10 years. Individual components (e.g. wheels and pads) may need to be replaced sooner depending on wear and tear. The service life can be increased by using spare parts.

**2 General safety regulations**

Use the product only on flat surfaces indoors. When using the product as a transfer aid, make sure that the patient's arms are on the armrests or that the

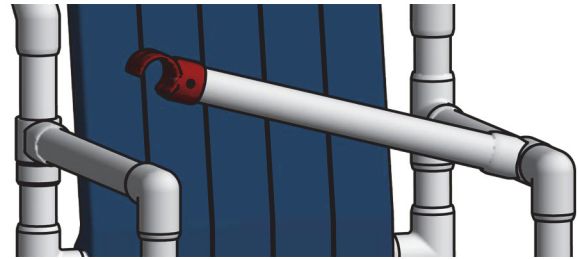
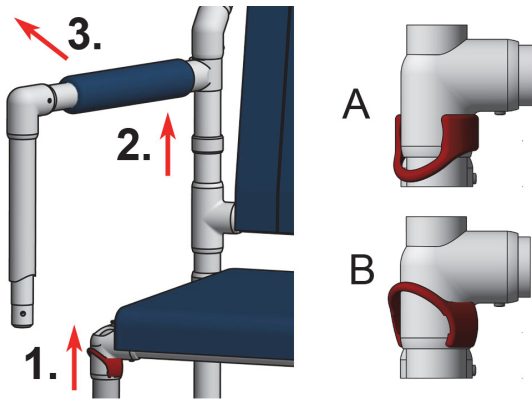


**- Swing-out armrest ASA**

It facilitates the transfer of the user into or out of the chair. To do this, first release the lock (1) by turning the red plastic bar upwards by 90°. Then lift the armrest at the back by the swivel joint (2) and swivel it outwards (3). Locking is done in reverse order. Always lock the armrest after transfer! Caution: Do not put any load on the armrest when it is swivelled out!

**A:** Safety clip closed

**B:** Fuse bracket open

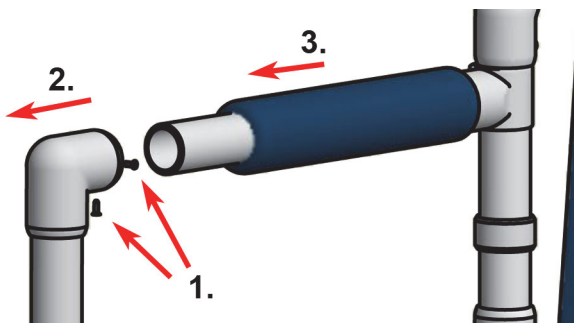


**- Arm pads**

Arm pads can be easily removed: 1. loosen the two screws (PH2).

2. pull off the front part of the armrest (swivel the armrest to do this).

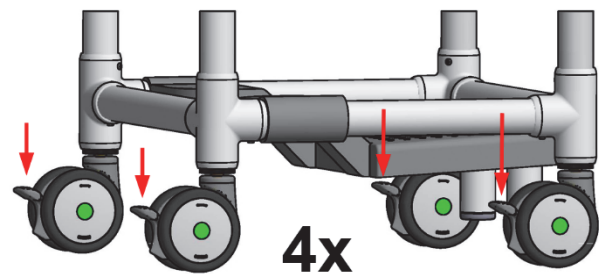
3. pull off the arm pad



**- Wheels ∅ 100 mm double-wheel castors**

When transferring a person, all parking brakes must be locked.

The chair is equipped with high-quality castors as standard. However, their service life is severely impaired by improper use. It is negative if the castors are loaded with a higher weight than is permissible for the model. Use on an unsuitable surface also has a negative effect, e.g. foreign bodies can penetrate the supports. The chair must not be moved by force with the castors locked. The castors can be damaged by rough impact or falling loads. It is also harmful if the chair is moved at too high a speed (> 4 km/h) or if changes are made to the castors.



**- Safety bar SB**

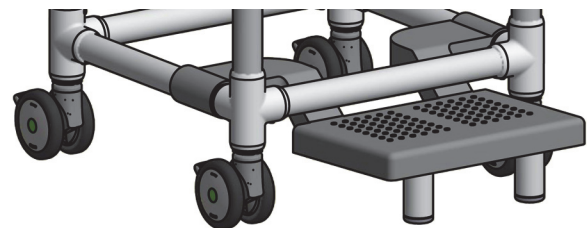
This serves as an additional grab handle. The safety bar is rotatably attached to an armrest. The safety bar is closed by pressing the half-open end onto the opposite armrest. It is then positioned horizontally in front of the person sitting in the chair. However, it is not a fixation because it can be opened by the person at any time.

The easiest way to open it is to reach under the bar with your hand and press on the armrest from above with your thumb.

Attention: The safety bar serves as additional protection during transport and gives the user the possibility to hold on to it comfortably. However, the bar is not an absolute safeguard against slipping out or falling out.

**- Extendable footrest FT**

The footrest is used to place the feet. The footrest is slidably attached to the lower frame rails; this makes it easy to bring into position by pulling it forward or pushing it back. The support bars fitted under the footrest and equipped with anti-slip feet make the footrest stable to step on and prevent the chair from tipping forward. If larger castors are retrofitted, the support bars must also be extended.



**- Padded back PR**

The upholstered back increases the seating comfort. It is simply pressed onto the lower bar and then pressed over the upper bar with the lip pulled slightly upwards. The upholstered back can be removed just as easily for cleaning.

**- PUS upholstered seat**

The polyurethane foam seat offers increased seating comfort. The seat is simply placed on the

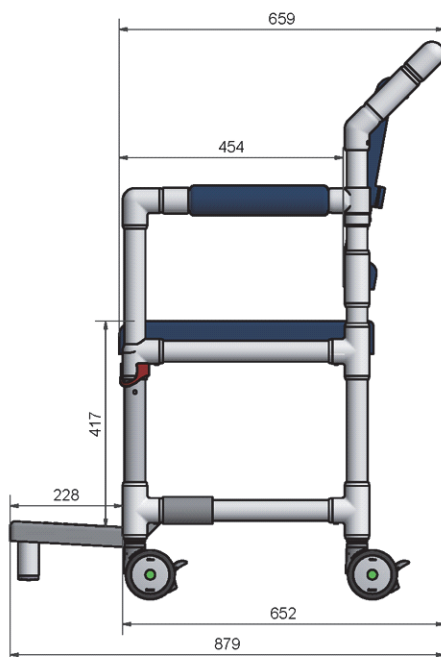
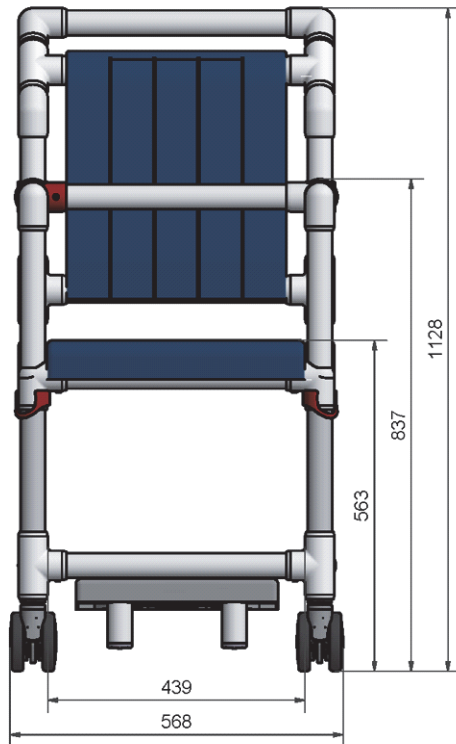
seat frame of the chair and can be removed for cleaning.

#### 4 Accessories

No accessories.

#### 5 Technical data

All dimensions are in millimetres.



TC 450 MRT

Weight:










21 kg

Maximum load capacity:

150 kg

#### 6 Labelling

There are labels with the following symbols on the frame of the product:

	Medical device
	CE mark
	Order number
	Serial number
	maximum User weight kg
	Manufacturer
	Date of manufacture YYYY-MM
as of 01.01.2025	
	Unique Device Identifier Barcode GS1 DataMatrix
(01) 04260629321092	(01) GTIN (ex.)
(21) 202105673	(02) Serial number (ex.)
	Suitable for MRI areas with devices up to 3 Tesla.

#### 7 Cleaning and disinfection

The product can be cleaned easily with warm water and standard household cleaning agents. Use a sponge or soft cloth for this purpose. Caution: Do not use steel wool or scouring agents! For manual reprocessing, wipe all components with a colourless surface disinfectant. Follow the manufacturer's instructions on exposure times and safe use.

The following applies to the polyurethane foam upholstery: Do not clean or handle with sharp objects. Only use soap-based cleaning agents (alkaline), temperature up to 80 °C. Acidic cleaning agents are not suitable.

Caution: When using rapid disinfectants, the upholstery must not be rubbed during the application time and for 20 minutes afterwards. The upholstery may have to be cleaned of dirt beforehand.

To maintain the smooth running of the extendable footrest, please clean the gaps as necessary by sliding the sliding parts back and forth under a strong jet of water. Spraying the sliding surfaces with silicone spray promotes ease of movement.

#### 8 Maintenance and inspection

The product is maintenance-free if the described cleaning and safety instructions are observed.

A complete inspection must be carried out at least once a year. The correct and tight fit of the connections must be checked. All connecting elements must also be checked for cracks. If necessary, the product must be taken out of operation until after the repair.

The running and turning characteristics of the castors and the function of the parking brakes must be checked weekly.

Your RCN Team

Status: 19.10.2022

## **9 Storage, reuse and disposal**

**Storage:** Store the product at temperatures from 0 °C to 40 °C in a dry environment up to max. 75% humidity.

**Reuse:** The product is suitable for repeated use. The frequency depends on wear and tear and functional capability. Clean and disinfect the product according to chapter 7. Only pass on the product if all components fulfil their functions.

**Disposal:** The product does not contain any hazardous substances. You can dispose of the product locally.

## **10 Warranty / Liability**

We provide the end user with a guarantee for the RCN product supplied under the following conditions:

The warranty period is generally 3 years, for the plastic or metal frame it is 5 years. It begins at the time the product is handed over to the user. The proof of purchase in connection with the indication of the serial number applied to the product is valid as proof of guarantee.

The warranty covers the repair of damage or defects to the product occurring within the warranty period that are demonstrably due to material or manufacturing defects. Excluded from this are parts that are subject to natural wear and tear. We reserve the right to provide warranty service by replacing or repairing the damaged parts. The warranty does not cover damage resulting from improper handling and use, failure to observe the instructions contained herein, the use of unsuitable or abrasive cleaning agents or in the event of wilful damage.

In the event of a warranty claim, please contact your specialist dealer/retail partner or RCN directly. If the product is sent to us for repair, this will be at the expense and risk of the sender.

Justified warranty services are carried out without any charge. They neither extend nor restart the warranty period for the product.

Any further claims, in particular those for compensation for damage not caused to the product, are excluded. This warranty is in addition to and in no way affects any statutory or other rights of end users.

We consider it our primary task to develop and manufacture products that best meet the needs of our customers. Tell us if you think we should change or improve something and if you are satisfied, tell us that too, because that is of course what we are most pleased about. You will find our email address, telephone number and fax number as well as our postal address on the first page.