



Transport wheelchair for MRI DR 100 MRT



Content

1 Introduction	1
2 Intended use	1
3 General safety instructions	1
4 Operation and functions	1
5 Accessories	2
6 Technical data	2
7 Marking	3
8 Cleaning and disinfection	3
9 Maintenance and inspection	3
10 Storage, reuse and disposal	3
11 Warranty / Liability	4

1 Introduction

These operating instructions contain important information on the use of the product. Read the operating instructions carefully and follow the safety instructions in particular.

2 Intended use

The wheelchair is designed for transporting motor-impaired adolescents and adults and can be used in the MRI range up to 3 Tesla.

Locomotion can be as a push wheelchair with an assistant or as a self-propelled wheelchair.

Indication: The product provides support in case of mobility or balance limitations. Contraindication: Inability to sit. Then the wheelchair can only be used with an assistant.

Product service life: The expected service life is 10 years. Depending on wear and tear, individual components (e.g. wheels and pads) may need to be replaced sooner. The service life can be increased by using spare parts.

3 General safety instructions

The transport chair is only approved for use inside buildings. It is only suitable for flat surfaces. Do not use the product all day, as it may cause damage to your health due to the lack of suspension and adjustment options during long-term use. While the product is in motion, do not reach between the brake and wheel or into the rotating spokes of the drive wheels. No objects, such as items of clothing, may get caught in the spokes.

Smaller uneven surfaces and obstacles may only be driven over with the help of an attendant. When doing so, the obstacle must be driven over with both castor wheels at the same time to prevent lateral tipping. Do not shift your weight by tilting your upper body sideways, frontally or backwards, e.g. when reaching for objects. This may cause the chair to tip over. Do not exceed walking speed when using the wheelchair.

All serious incidents related to this product must be reported to us (manufacturer).

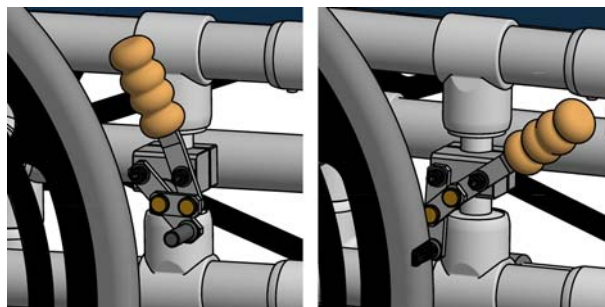
4 Operation and functions

- 24" wheels with handrim

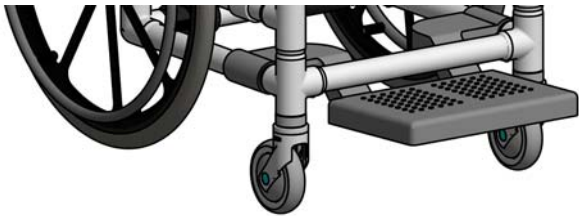
The 24" polyurethane drive wheels are puncture-proof. As a self-propelled unit, only the handrims are to be used for propelling. Collisions or wall contact must be avoided because the hands then extend beyond the wheelchair and are particularly at risk.

- Parking brakes

To lock the knee lever brakes, the levers must be pressed forwards/downwards. When locked, it must not be possible to move the wheelchair with a load. Parking brakes may not be used to reduce speed while driving. Uneven application may result in loss of direction. In the event of sudden closing, the wheelchair brakes sharply and the user may fall out.



-The footrest is used to place the feet. The footrest is attached to the lower frame rails so that it can be moved into position simply by pulling it forward or pushing it back. The footrest must not be loaded with the full body weight, otherwise the wheelchair may tip over.



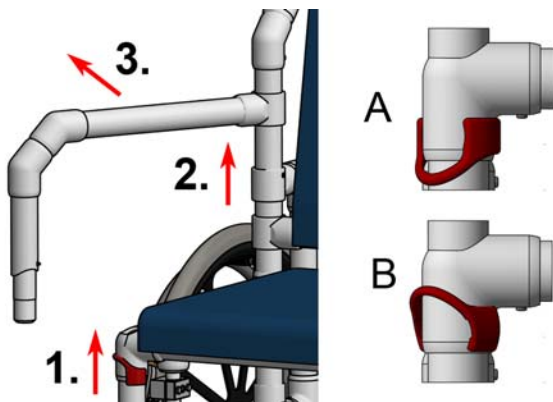
- Cushion back PR

The upholstered back increases seating comfort. It is simply pressed onto the lower bar and then pressed over the upper bar with the lip pulled slightly upwards. The upholstered back can be removed just as easily for cleaning.

- swing out armrest ASA

It facilitates the transfer of the user into or out of the chair. To do this, first release the lock (1) by turning the red plastic bracket upward by 90°. Then lift the armrest at the rear of the swivel joint (2) and swivel it outwards (3). The armrest is locked in the reverse order. Always lock the armrest after transfer! Caution: Do not load the armrest when it is swiveled out!

- A:** Safety clip closed
- B:** Safety clip open



5 Accessories

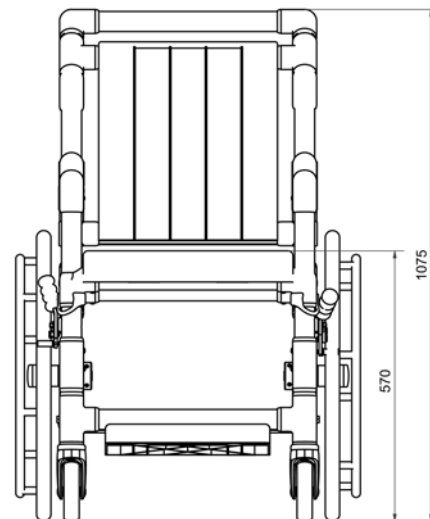
No accessories.

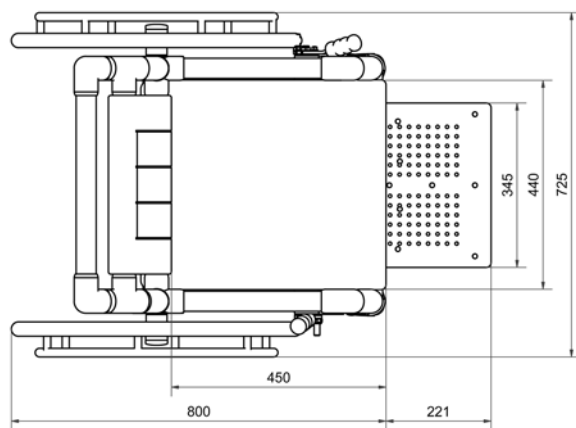
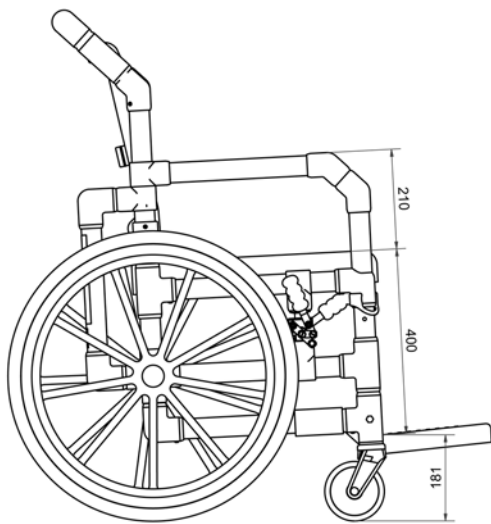
6 Technical data

All dimensions are in millimeters.

- Upholstered seat PUS

The polyurethane foam seat provides increased seating comfort. The seat is simply placed on the seat frame of the chair and can be removed for cleaning.












DR 100 MRT
 Weight: 32,0 kg
 Maximum load capacity: 150 kg

7 Marking

On the frame of the product there are labels with the following symbols:

	Medical device
	CE Mark
	Order number
	Serial number
	maximum User weight kg
	Manufacturer
	Date of manufacture YYYY-MM

as of 01.01.2025

UDI



Unique Device Identifier
 Barcode GS1 DataMatrix

(01) 04260629321092
 (21) 202105673

(01) GTIN (Ex.)
 (02) Serial number (Ex.)



3T
 or
 Less

Suitable for MRI areas
 with devices up to 3
 Tesla.

8 Cleaning and disinfection

The product can be easily cleaned with warm water and household detergents. Use a sponge or soft cloth for this purpose. Caution: Do not use steel wool or scouring agents! For manual reprocessing, wipe all components with a colorless surface disinfectant suitable for plastics. Observe the manufacturer's instructions on exposure times and safe use.

The following applies to the polyurethane foam upholstery: Do not clean or process with sharp objects. Use only soap-based cleaning agents (alkaline), temperature up to 80 °C. Acidic cleaning agents are not suitable.

Caution: When using rapid disinfectants, the upholstery should not be rubbed during the application time and for 20 minutes afterwards. The upholstery may have to be cleaned of dirt beforehand.

To maintain the smooth running of the extendable footrest, please clean the gaps as required by sliding the sliding parts back and forth under a strong jet of water. Spraying the sliding surfaces with silicone spray promotes smooth running.

9 Maintenance and inspection

The product is maintenance-free if the described cleaning and safety instructions are observed.

A complete inspection must be carried out at least once a year. Here, the correct and tight fit of the connections must be checked. All connecting elements must also be checked for cracks. If necessary, the product must be taken out of operation until it is repaired.

The running and turning characteristics of the rollers and the function of the parking brakes must be checked weekly.

10 Storage, reuse and disposal

Storage: Store the product at temperatures from 0°C to 40 °C in a dry environment up to max. 75% humidity. The model cannot be disassembled or folded.

Reuse: The product is suitable for repeated use. The frequency depends on wear and functional capability. Clean and disinfect the product according to chapter 7. Only pass on the product if all components fulfill their functions.

Disposal: The product does not contain any hazardous substances. You can dispose of the product locally.

1 1 Warranty / Liability

The supplied RCN product is provided to the end user under the following warranty conditions:

The warranty period is generally 3 years, for the plastic or metal frame it is 5 years. It starts from the moment of handing over the product to the user. The proof of purchase in connection with the indication of the serial number applied on the product is considered as the proof of warranty.

The warranty covers the repair of damage or defects to the product occurring within the warranty period that are demonstrably due to material or manufacturing defects. Excluded from this are parts that are subject to natural wear and tear. We reserve the right to provide warranty service by replacing or repairing the damaged parts. The warranty does not cover damage resulting from improper handling and use, failure to observe the instructions contained herein, the use of unsuitable or abrasive cleaning agents or in the event of wilful damage.

In the event of a warranty claim, please contact your specialist dealer/retail partner or RCN directly. If the product is shipped to us for repair, this is done at the expense and risk of the sender.

Justified warranty services are performed without any charge. They do not cause an extension or a restart of the warranty period for the product.

Further claims, in particular those for compensation for damage not caused to the product, are excluded.

This warranty is in addition to and in no way affects any statutory or other rights of end users.

We consider it our primary task to develop and manufacture products that best meet the needs of our customers. Tell us if you think we should change or improve something, and if you are satisfied, tell us too, because that is what we are most pleased about, of course. You can find our email address, telephone number and fax number as well as our postal address on the first page.

Your RCN Team

Status: 28.10.2022